



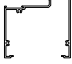



SELL-MAR ENTERPRISE, Inc.

Architectural Metal, Glass, Storefront, Acrylic and Door Hardware Supplier

Phone: (718) 299-8484 Fax: (718) 299-5466

www.Sell-Mar.com & Estimating@Sell-Mar.com

STOCK LENGTHS 24' UNLESS NOTED OTHERWISE

2" X 4½" FLUSH GLAZE SYSTEM (FOR 1")			
1	5101		DOUBLE POCKET CLOSED BACK W/ SCREW SPLINE
2	5102		SILL CLOSED BACK W/ SCREW SPLINE
3	5103		SINGLE POCKET CLOSED BACK W/O SCREW SPLINE
4	5104		SINGLE POCKET OPEN BACK W/O SCREW SPLINE
5	5105		SINGLE POCKET OPEN BACK W/ SCREW SPLINE
6	5106		SILL OPEN BACK W/ SCREW SPLINE
7	5107		4½" HIGH SILL (INTERCHANGEABLE)
8	5111		HALF CORNER W/ 2 POCKETS (INTERCHANGEABLE)
9	5112		HALF CORNER W/ 1 POCKET (INTERCHANGEABLE)
10	5121		OPEN BACK FILLER/POCKET (INTERCHANGEABLE)
11	5123		SILL CAP
12	5124		SNAP-IN DOOR STOP
13	5125		POCKET FILLER
14	5126		SILL SHEAR BLOCK (MILL) 6'
15	5127		HEAD SHEAR BLOCK (MILL) 6'
16	5177		POCKET REDUCER FOR ¼"
17	5178		POCKET REDUCER FOR ½"
18	5179		POCKET REDUCER FOR ¾"
19	2860		1" GLAZING RUBBER (500')



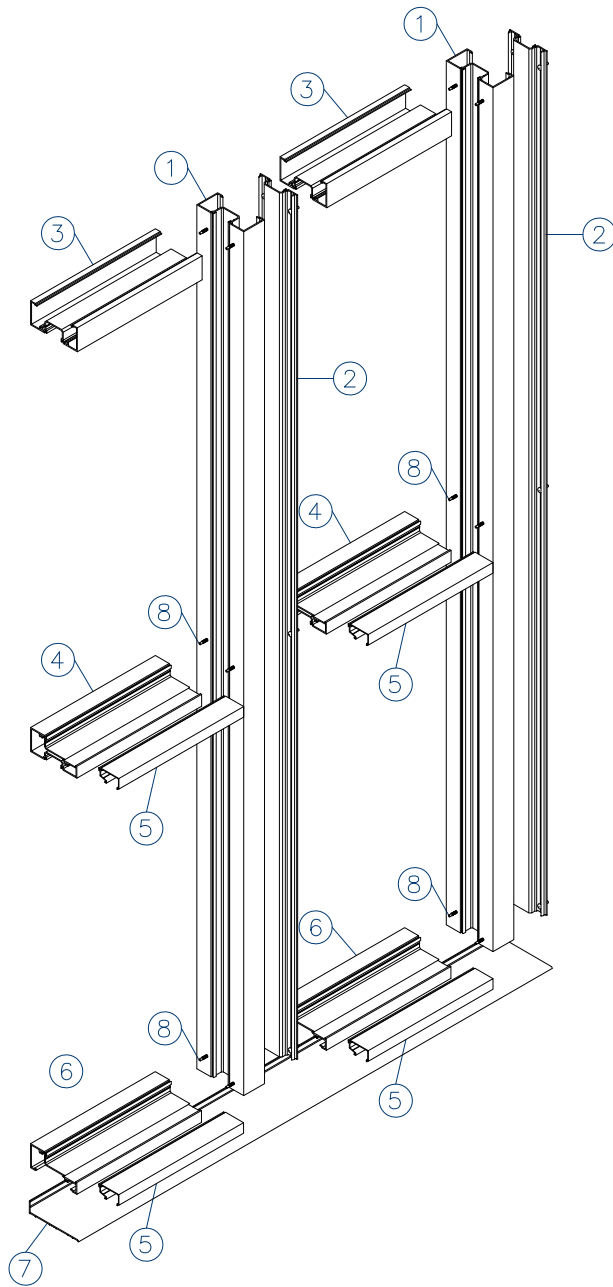
SELL-MAR ENTERPRISE, Inc.

Architectural Metal, Glass, Storefront, Acrylic and Door Hardware Supplier

Phone: (718) 299-8484 Fax: (718) 299-5466

www.Sell-Mar.com & Estimating@Sell-Mar.com

5100 ISOMETRIC VIEW (SCREW SPLINE ASSEMBLY) Flush Glazing System 1"



ITEM	DESCRIPTION
1	5104 SINGLE POCKET OPEN BACK
2	5121 FILLER WITH POCKET
3	5105 SINGLE POCKET OPEN BACK SCREW SPLINE
4	5102 SILL CLOSED BACK WITH SCREW SPLINE
5	5123 SILL CAP
6	5106 SILL OPEN BACK WITH SCREW SPLINE
7	5037 SILL FLASHING
8	#8 PAN HEAD SCREW



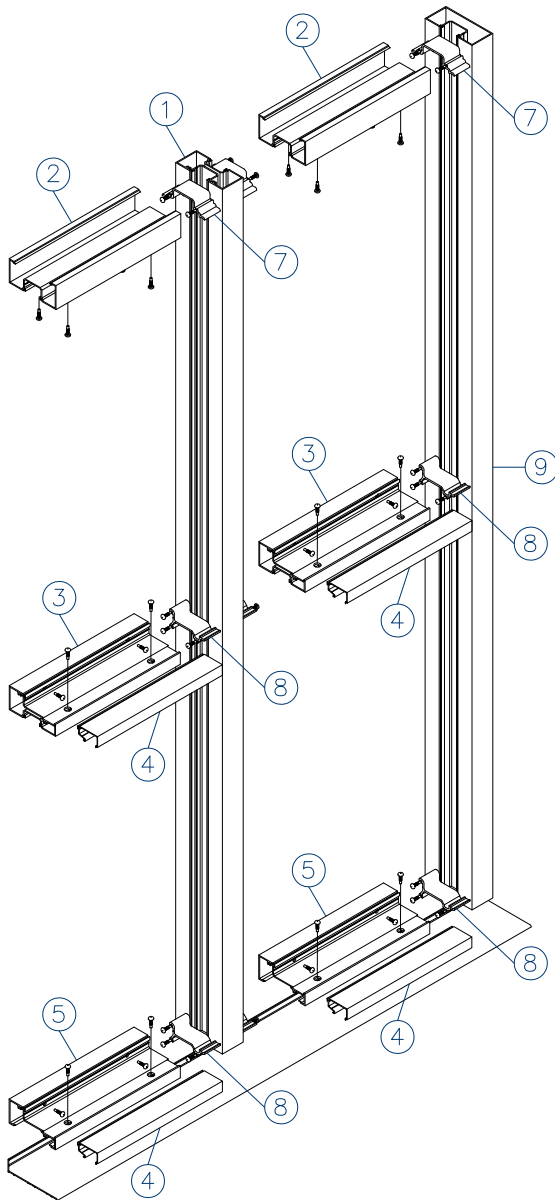
SELL-MAR ENTERPRISE, Inc.

Architectural Metal, Glass, Storefront, Acrylic and Door Hardware Supplier

Phone: (718) 299-8484 Fax: (718) 299-5466

www.Sell-Mar.com & Estimating@Sell-Mar.com

5100 ISOMETRIC VIEW (SHEAR BLOCK ASSEMBLY) Flush Glazing System 1"



ITEM	DESCRIPTION
1	5101 DOUBLE POCKET CLOSED BACK
2	5104 SINGLE POCKET OPEN BACK
3	5102 SILL CLOSED BACK
4	5123 SILL CAP
5	5106 SILL OPEN BACK
6	5037 SILL FLASHING
7	5127 HEAD SHEAR BLOCK (MILL) 6'
8	5126 SILL SHEAR BLOCK (MILL) 6'
9	5103 SINGLE POCKET CLOSED BACK